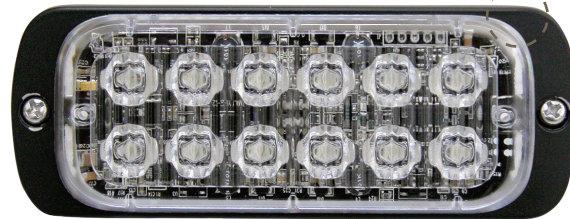
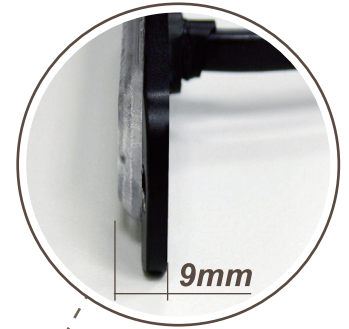
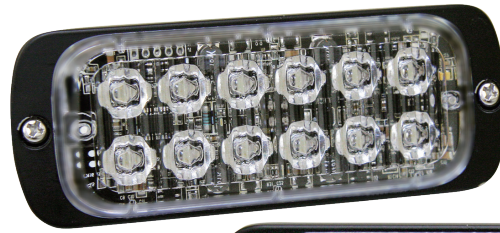


ST26 Super Thin

12-LED Directional Warning Lamp (Surface Mount)



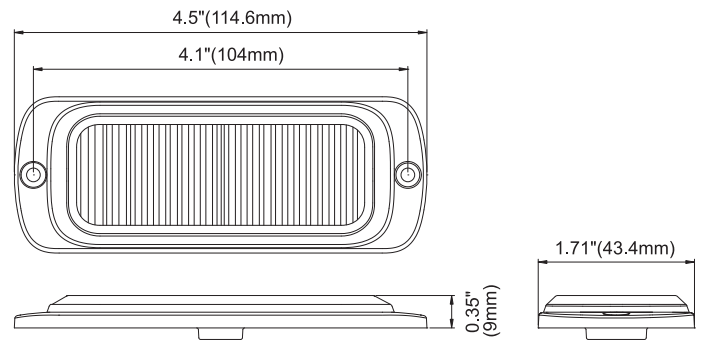
FEATURES

- 0.35" (9mm) Super low-profile thickness.
- Multi-Voltage Input 12~24VDC
- Built-in 25 selectable flash patterns
- LEDs rated to 100,000 hours of operation.
- Non-volatile memory recalls last flash pattern used at power up.
- Multi-units synchronization in simultaneous or alternating flash.
- Reverse polarity protection.
- Weatherproof and vibration resistant design for internal or external use.
- Aluminum base for heat dissipation.

SPECIFICATIONS

- Meets:** SAE J595 Class 1(R,A,B,W) ;
ECE R65 Class 2(A,B) ; ECE R10
- Bulb:** High-power LED x 12pcs
- Warning Patterns:** 25 Flash Patterns
- Operating Voltage:** 12~24VDC
- Avg. Current:** 0.78A @12VDC / 0.39A @24VDC
(varies with flash pattern)
- Avg. Power:** 9.25 Watts (varies with flash pattern)
- Max. Current:** 1.56A @12VDC / 0.78A @24VDC
- Max. Power:** 18.5 Watts
- Wires:** Red-Vcc : 25cm (20AWG)
Black-GND : 25cm (20AWG)
Yellow-Flash Patterns & Sync : 25cm (20AWG)
White-Low Power : 25cm (20AWG)
- Fuse Recommended:** 3A
- Multi-Unit Synchronization:** Over 15 units
- Available in:** RED, BLUE, AMBER, WHITE

DIMENSIONS



PART NO.

- 1603-300586 amber
- 1603-300587 blue
- 1603-300588 red
- 1603-300626 white

FLASH PATTERN

FP#	Flash Patterns		
1	Double [R65]	14	Single (all) [SAE]
2	Single [2Hz]	15	Double (all) [SAE]
3	Triple [2Hz]	16	Quad (all) [SAE]
4	Quad [2Hz]	17	Quint (all) [SAE]
5	Random	18	Mega (all)
6	Single (split)	19	Ultra (all) [SAE]
7	Double (split)	20	Single-Quad (all)
8	Quad (split)	21	Single H/L (all)
9	Quint (split)	22	Steady half
10	Mega (split)	23	Steady all
11	Ultra (split)	24	Rotate Slow
12	Single-Quad (split)	25	Rotate Fast
13	Single H/L (split)		

*split=Left alternating Right *all=all LEDs on

12LED LIGHTHEAD MANUAL

WIRING

To + VDC (fuse @ 3A):.....**RED**

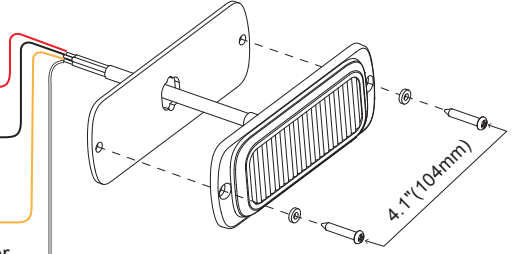
To -Chassis Ground:.....**BLACK**

For Synchronization &
Flash Patterns:.....**YELLOW**

Connect **YELLOW** wires of multiple lighthead together for synchronization(All heads should be set at the same Flash Pattern)

For Low Power:..... **WHITE**

Connect **WHITE** wires to +VDC continuously for low power operation



OPERATION

For Simultaneous/Alternating Flash and Split Flash Mode:

1. Apply +VDC to **RED** and **YELLOW** wires simultaneously to enter Mode Setting; lighthead will display its current:

- Split Flash Mode



#1 & #2 Top-Down



#3 & #4 Left-Right



#5 & #6 Criss-Cross

- and Group in short (single or double) flashes:

Single flash = Group1

Double flash = Group2

2. Remove **YELLOW** wire from +VDC then momentarily apply +VDC to change to the desired Flash Mode and Group:

- Heads of the same Group will flash together.
- Heads of different Groups will flash alternately.

3. Save and exit Mode Setting by powering off the lighthead.

#	FLASH MODES	GROUP
1	Top-Down (default)	Group1
2	Top-Down	Group2
3	Left-Right	Group1
4	Left-Right	Group2
5	Criss-Cross	Group1
6	Criss-Cross	Group2

For Flash Patterns:

Momentarily apply +VDC to **YELLOW** wire:

- once for next pattern
- quick three times for FP#1

NOTE: This unit may not be factory set at FP# 1.

#	Flash Patterns	
1	Double [R65]	14 Single (all) [SAE][CA13]
2	Single [2Hz]	15 Double (all) [SAE]
3	Triple [2Hz]	16 Quad (all) [SAE]
4	Quad [2Hz]	17 Quint (all) [SAE]
5	Random	18 Mega (all)
6	Single (split)	19 Ultra (all) [SAE]
7	Double (split)	20 Single-Quad (all)
8	Quad (split)	21 Single H/L (all)
9	Quint (split)	22 Steady Half [California]
10	Mega (split)	23 Steady (all)
11	Ultra (split)	24 Rotator Slow
12	Single-Quad (split)	25 Rotator Fast
13	Single H/L (split)	

*Split = as Split Flash Mode *All = all LEDs simultaneously