

# JS100-C1

## Compact Siren Speaker



### FEATURES

- High performance siren speaker that exceed SAE requirement.
- Powerful Neodymium magnet that produce more than 124.5dB over 3M (9.8ft) distance.
- Tested for efficiency and reliability with SAE J1849.
- Compact and durable design with Fibre Reinforced Nylon housing & Cast Aluminium driver unit.
- Industrial standard L-Bracket and U-Bracket for versatile installation.

### SPECIFICATIONS

**Compliant:** SAE J1849 EVS2, CA Title 13

**Driver:** Neodymium Magnet

**Rated Wattage:** 100W

**Impedance (AC):** 11  $\Omega$

**DC Resistance:** 4.3  $\Omega$

**Weight:** 2.05 Kg

**Cooling Method:** Ferro Fluid Cool

**Housing:** Fibre Reinforced Nylon and Cast Aluminium

**Operating Temperature:** -30°C~65°C

**Storage Temperature:** -40°C~75°C

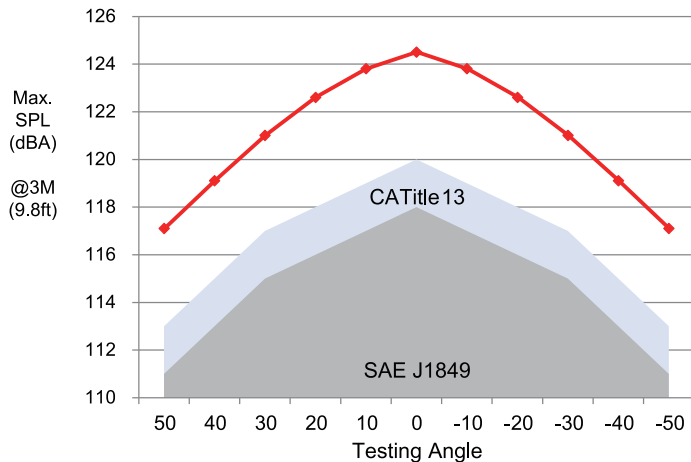
**IP Rating:** IP54K

**Sound Output:** 124.5 dBA @ 3M (9.84')

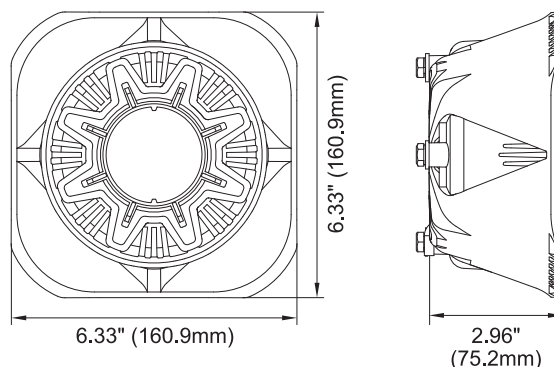
**Wires:** White (SPK+) - 35cm (20AWG)

Black (SPK-) - 35cm (20AWG)

### SOUND PRESSURE LEVEL



### DIMENSIONS



### PART NO.

- H003-10111-000 (Speaker w/o Bracket)
- H003-11111-000 (Speaker w/ L-Bracket)
- H003-12111-000 (Speaker w/ U-Bracket)
- U001-00110-000 (Replacement driver only)

### ACCESSORIES

- 99-H003M001-000

L-Bracket



- 99-H003M002-000

U-Bracket

